



Group: FOCS
 Engine: LDW 502 Drawing: A

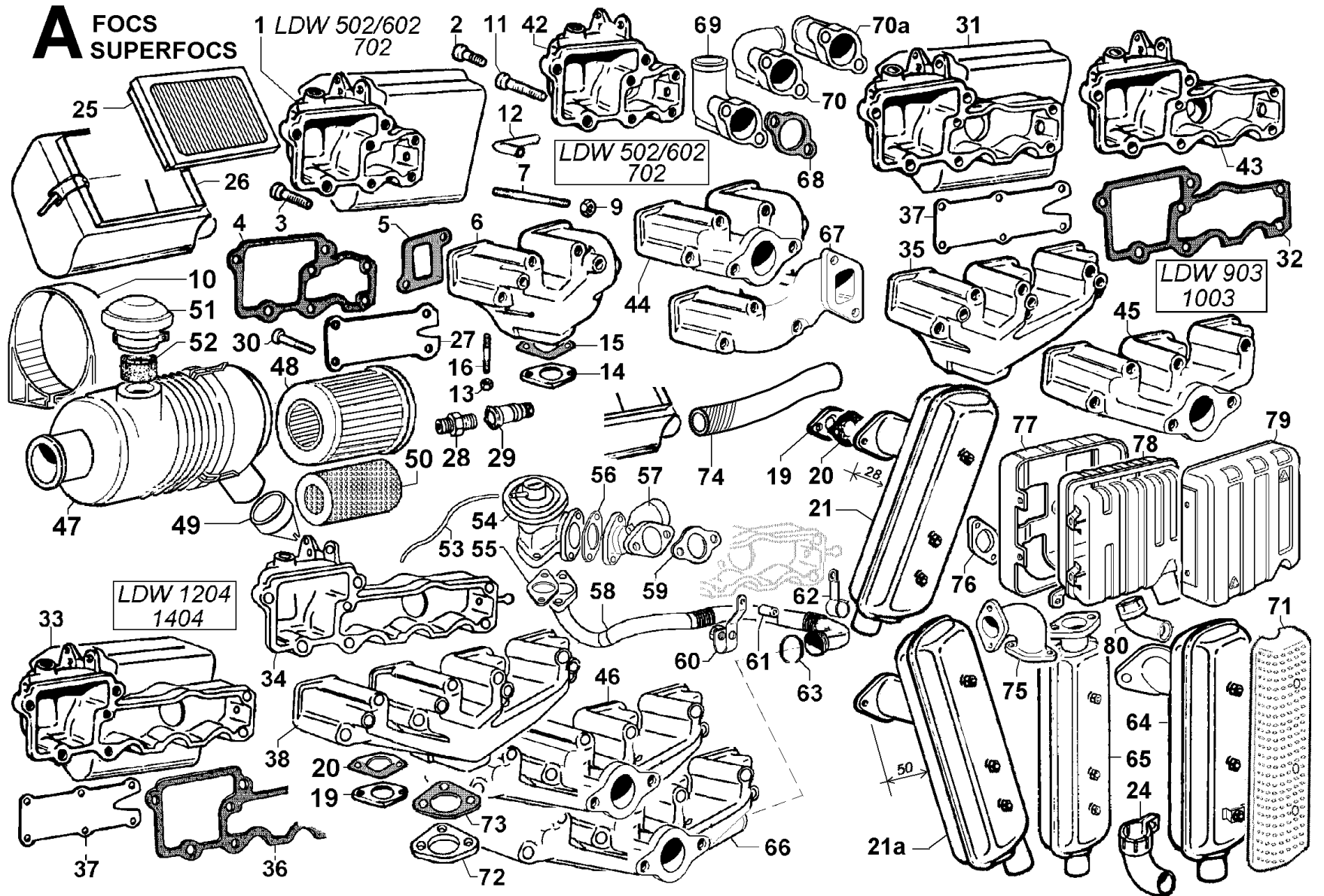
INTAKE AND EXHAUST

POS.	CODE	DESCRIPTION	Qty
1	8741.183	air cleaner support	1
2	9730.031	screw M 8 X 40	2
3	9732.064	screw M 8 X 30	1
4	4420.080	inl.manifold gasket	1
5	4420.070	exh.manifold gasket	2
6	2486.229	exhaust manifold	1
7	6780.028	stud M 8 X 55 (67)	4
9	3240.163	nut M 8	4
11	9731.040	screw M 8 X 60	1
12	9305.081	blow-by pipe	1
13	3240.163	nut M 8	2
14	3825.020	flange for muffler	1
15	4420.076	exhaust gasket	1
16	6780.171	stud M 8 X 22	2
19	3815.013	exh.flange h=7,5	1
20	4501.118	gasket	1
21	5460.291	muffler with horiz.inlet flange	1
24	9170.052	muffler end (diam. 39,5/42)	1
25	2175.164	air clean.cartridge	1
26	2605.100	cover (flywheel side inlet)	1
26	2605.101	cover (gear side inlet)	1
27	5055.055	panel	1
28	7325.009	union M 10X1 h=21	1
29	9700.100	dust indicator	1
30	9730.035	screw M 8 X 65	5
42	2486.265	inlet manifold	1
44	2486.240	exh.manifold with front outlet	1
67	2486.323	ehxaust manifold	1

Additional Info - Engine: LDW 502 Drawing: A

INTAKE AND EXHAUST

Pos.	Old part	Serv.Lett.	Notes	S.No/Date
A 1	8741.058	320036	-	3333991
A 12	9305.072	320036	-	3333391
A 25	2175.132	320079	-	3994695
A 26	2605.076	320079	-	3994695
A 26	2605.082	320079	-	3994695
A 27	5055.049	320009	-	3169316
A 28	7330.166	D016	-	02.1990
	7325.008	D019	-	12 1990
A 29	8345.010	D016	-	02.1990





CONNECTING ROD/PISTON SET

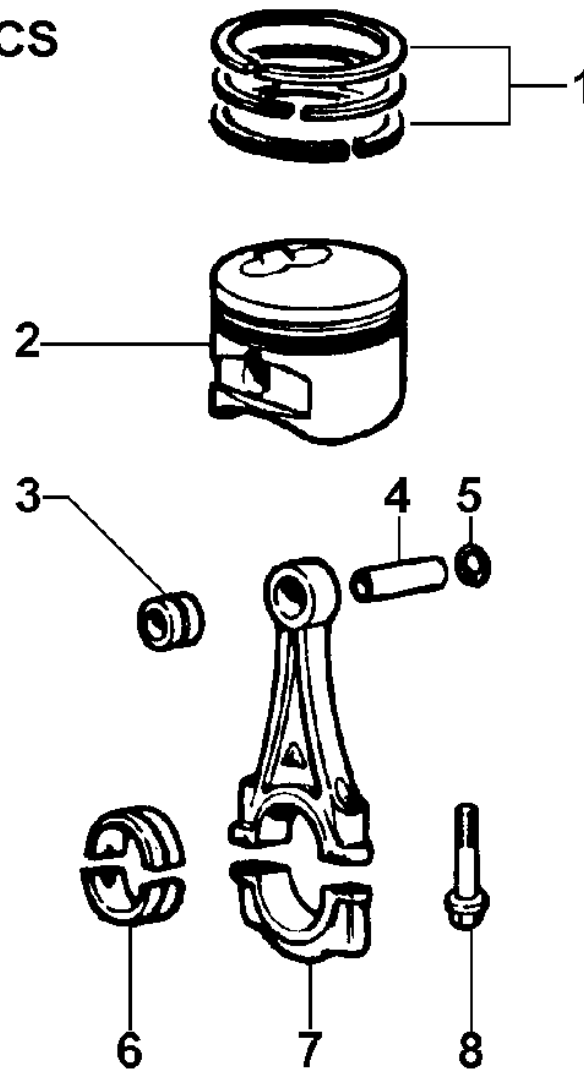
POS.	CODE	DESCRIPTION	Qty
1	8211.141	ring set std.	2
1	8211.142	ring set +0,50	2
1	8211.143	ring set +1,00	2
2	6501.101	PISTON SET std	2
2	6501.102	PISTON SET +0,50	2
2	6501.103	PISTON SET +1,00	2
3	1630.035	small end bushing	2
4	8480.087	gudgeon pin (diam.18)	2
5	1261.091	snap ring	4
5	1261.099	circlip for die-cast crankcase	4
6	1640.116	big end bushing std.	2
6	1640.117	big end bushing -0,25	2
6	1640.118	big end bushing -0,50	2
7	1526.104	CONNECTING ROD	2
7	1526.172	CONNECTING ROD std for citycar	2
7	1526.199	CONNECTING ROD -0,25 for citycar	2
7	1526.200	CONNECTING ROD -0,50 for citycar	2
8	1770.101	bolt M 8 X 1 X 42	4

Additional Info - Engine: LDW 502 Drawing: B

CONNECTING ROD/PISTON SET

Pos.	Old part	Serv.Lett.	Notes	S.No/Date
B 2	6500.707	320033	Pos. 1-2-4-5 -	3233570
B 2	6500.708	320033	Pos. 1-2-4-5 -	3233570
B 2	6500.709	320033	Pos. 1-2-4-5 -	3233570
B 4	8480.055	320033	-	3233570
B 5	1260.007	320033	-	3233570
B 6	1640.101	320065	-	3535825
B 6	1640.102	320065	-	3535825
B 6	1640.103	320065	-	3535825

B FOCS SUPERFOCS





Group: FOCS
Engine: LDW 502 Drawing: C

CRANKSHAFT/FLYWHEEL

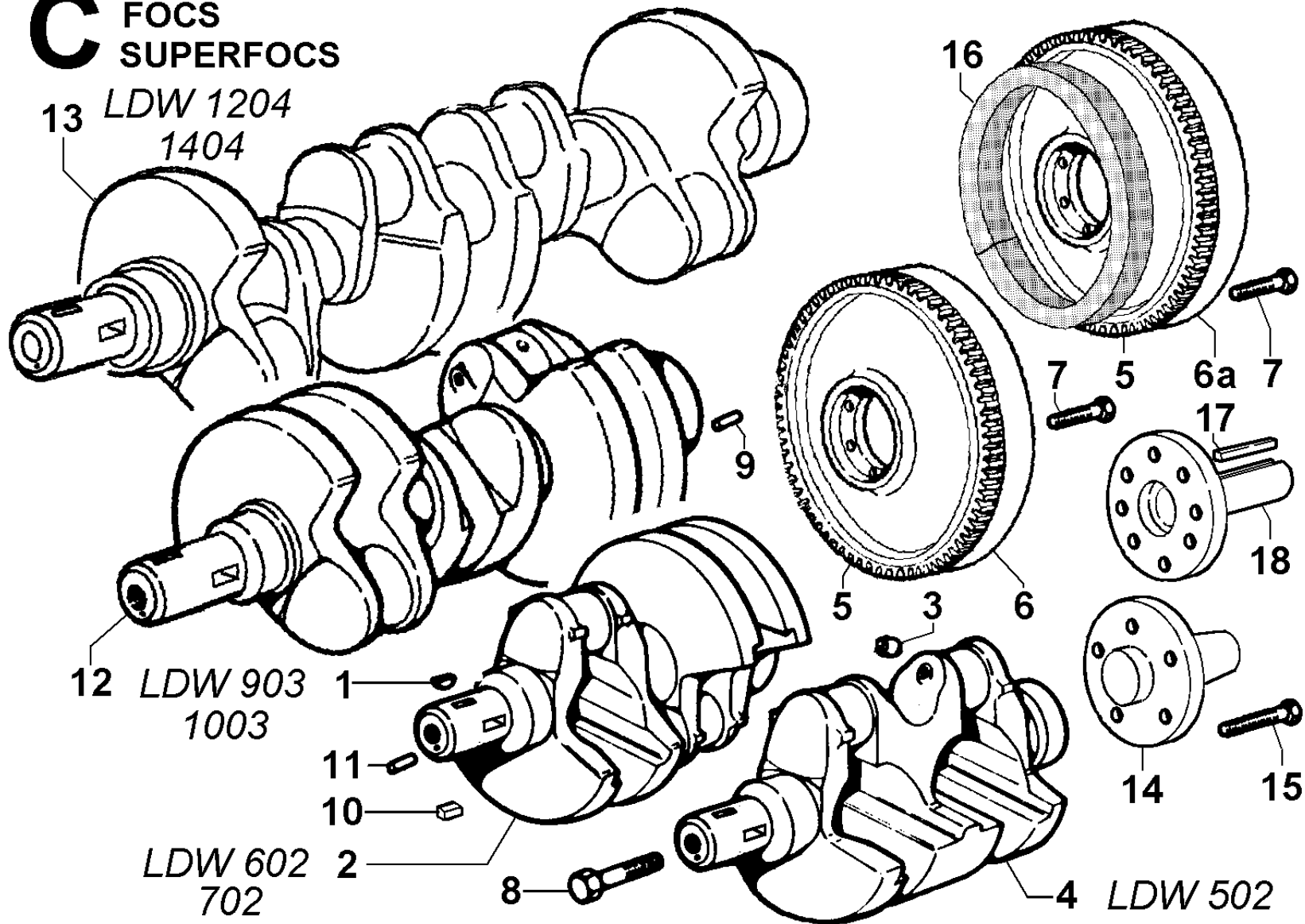
POS.	CODE	DESCRIPTION	Qty
1	2280.119	key	1
3	9080.132	plug diam. 6	2
4	1050.952	CRANKSHAFT citycar	1
4	1050.954	CRANKSHAFT	1
5	2816.088	crown gear \varnothing 238 z=94	1
6	9880.690	FLYWHEEL with crown z = 94 (Kg 7,4)	1
6	9880.881	FLYWHEEL with CROWN	1
6	9880.950	FLYWHEEL with crown (Valeo 180DBR)	1
6	9881.213	FLYWHEEL with crown gear	1
6a	9881.214	FLYWHEEL with crown gear and alternator rotor	1
7	1780.097	bolt M 10 X 30	5
8	9865.258	screw M 16 X 1,5 left rotation	1
9	8400.120	lockpin	1
10	2280.149	key (mm 8)	1
11	8430.004	tapper pin	1
16	2002.020	rotor 12 V 30/40 A	1

Additional Info - Engine: LDW 502 Drawing: C

CRANKSHAFT/FLYWHEEL

Pos.	Old part	Serv.Lett.	Notes	S.No/Date
C 4	1050.604 1050.823	320045 D054	Pos. 1-3-4-9-10-11-B 6-E 24-E 31 - Pos. 1-3-4-9-10-11-B 6-E 24-E 31 -	3368363
C 6	9881.176	320096	Pos. 5-6 -
C 6a	9881.186	320096	Pos. 5-6-16 - for hidr.pump on 1st PTO and alternator rotot assembled
C 8	1790.079	320045	-	3368363
C 10		320045	- starting from shown engine s.no	3368363
C 11		320045	- starting from shown engine s.no	3368363

C FOCS SUPERFOCS



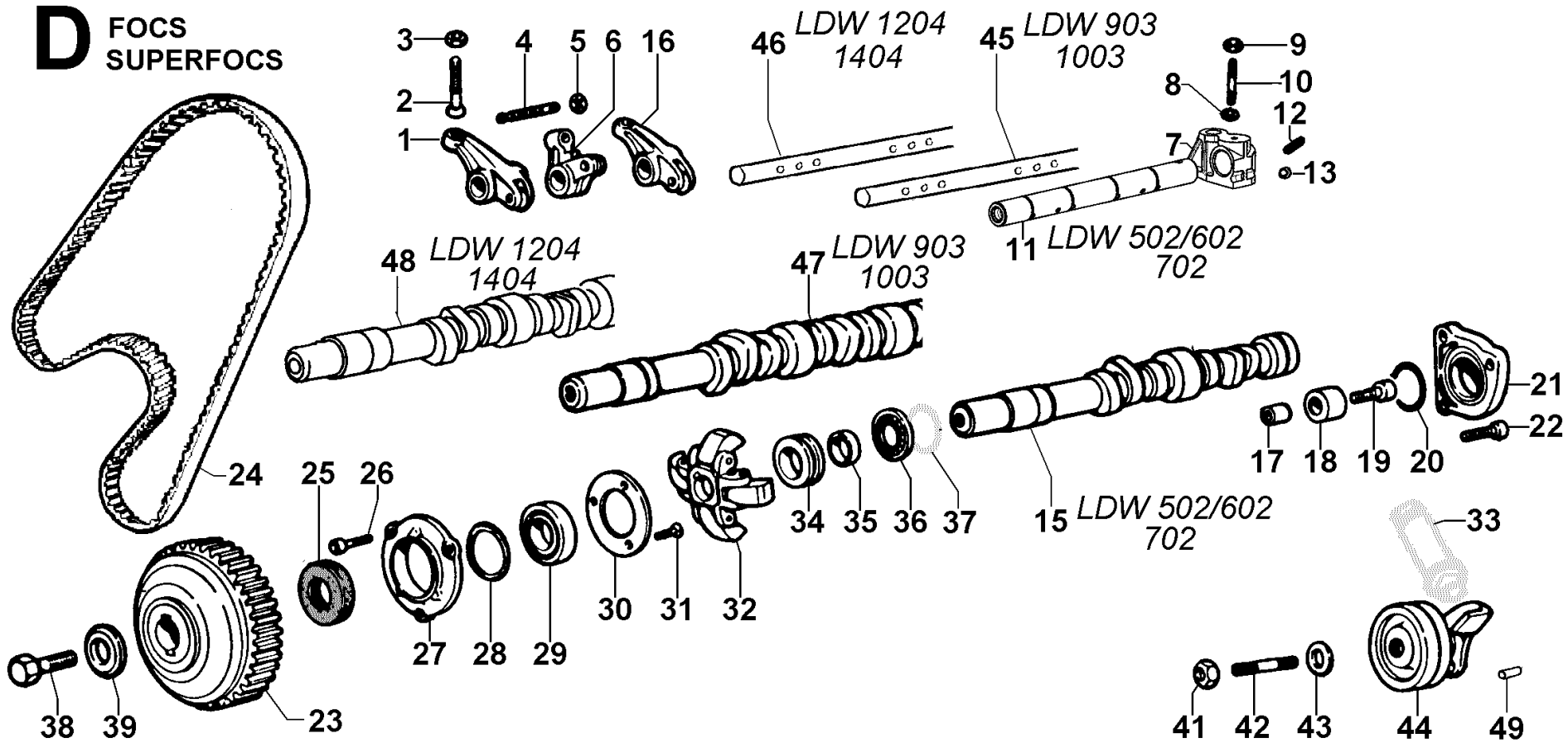


Group: FOCS
 Engine: LDW 502 Drawing: D

TIMING/SPEED GOVERNOR

POS.	CODE	DESCRIPTION	Qty
1	1541.193	rocker arm (inlet/exhaust)	2
1	6045.110	ROCKER ARM ASS.Y	1
2	9850.088	adj.screw	4
3	3240.008	nut M 6	4
4	9850.110	adj.screw	2
5	3240.151	nut	2
6	1541.220	inj.pump rocker arm	2
7	8615.105	rock.arm shaft support	3
8	7625.130	washer diam. 10,2	3
9	3240.033	nut M 10	3
10	6800.088	stud M 10 X 45	3
11	6045.085	rocker arm shaft	1
12	8430.061	lockpin 4 X 14	1
13	9000.148	plug diam.11	2
13	9080.182	plug diam.10	2
15	1011.501	camshaft for die-cast crankcase	1
15	1011.515	camshaft	1
16	1541.193	rocker arm (inlet/exhaust)	2
17	1970.140	sleeve	1
18	3580.018	cam std.	1
19	9730.294	screw	1
20	1200.233	O ring 40,95 X 2,62	1
21	3800.026	flange	1
22	9730.012	screw M 6 X 20	3
23	7090.012	contr.gear pulley	1
24	2440.343	timing belt z=108	1
25	1213.303	seal ring 35X52X7	1
26	9730.010	screw M 6 X 16	3
27	2690.294	GOVERNOR COVER	1
28	1202.037	rubber oil seal	1
29	3001.066	ball bearing	1
30	6275.166	plate	1
31	9800.061	screw M 6 X 16	3
32	8805.048	weight support	1
33	<----->	push rod	0
34	5401.205	CONTROL SLEEVE	1
35	1585.085	sleeve	1
36	3110.127	thrust roller	1
37	<----->	thrust washer	0
38	9820.142	screw	1
39	7625.045	washer diam.11	1
41	3240.033	nut M 10	1
42	6800.090	stud	1
43	7495.010	washer	1
44	4110.009	jockey pulley	1
49	8430.105	taper pin 8X16	1

D FOCs SUPERFOCS





Group: FOCS
 Engine: LDW 502 Drawing: E

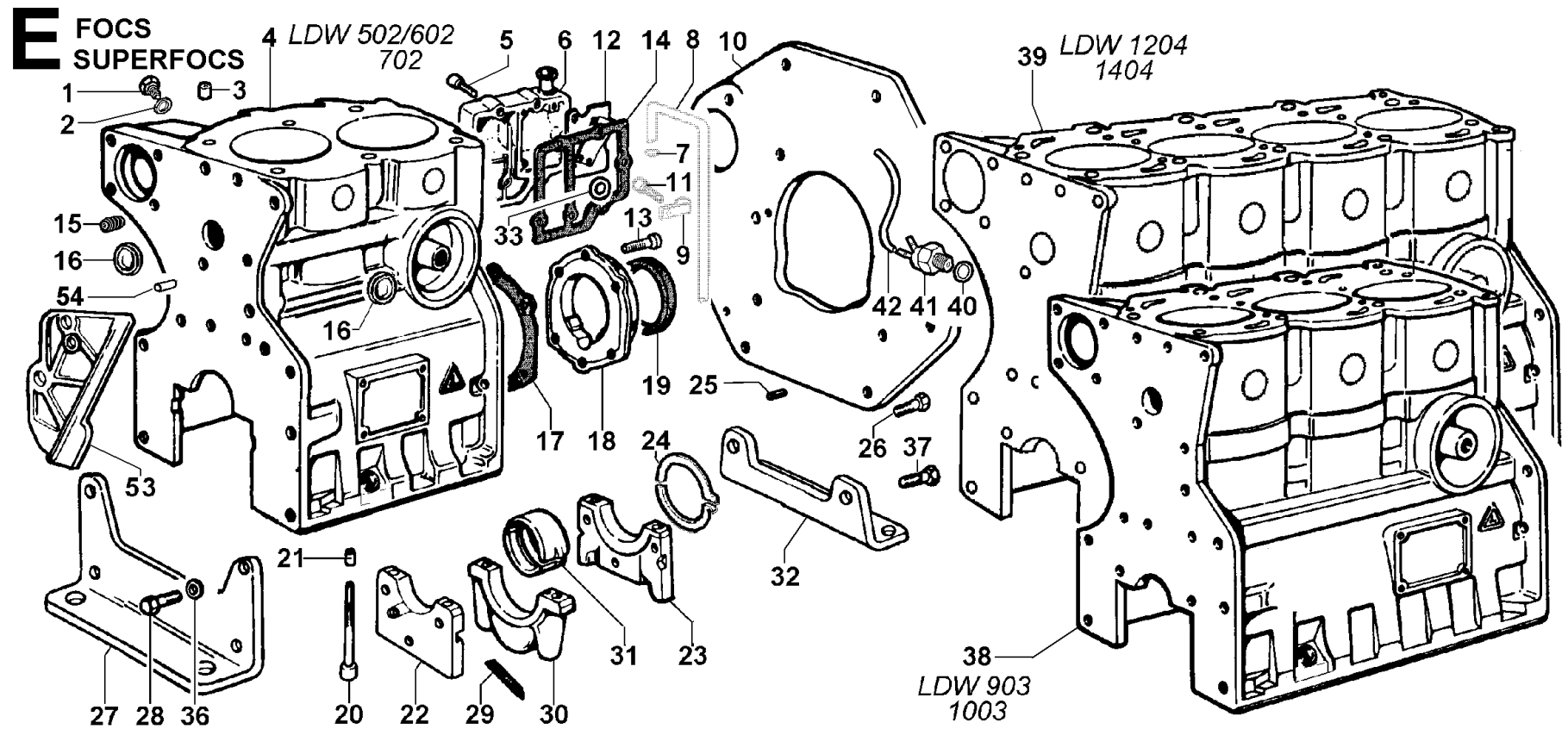
CRANKCASE/FLYWHEEL SIDE CRANKSHAFT FLANGE/MOUNTS

POS.	CODE	DESCRIPTION	Qty
1	8965.003	plug M 10	1
2	4670.060	copper gasket diam.12	1
3	1970.140	sleeve	2
4	1510.653	CRANKCASE aluminium	1
4	1510.656	CRANKCASE (cast-iron)	1
5	9730.107	screw M 6 X 14	6
6	2610.072	decanter cover	1
7	<----->	clamp	0
10	6370.504	flanging plate (thickness 7 mm)	1
11	<----->	screw	0
13	9730.010	screw M 6 X 16	6
13	9730.016	screw M 6 X 35	6
14	4431.144	gasket	1
15	9765.109	screw M 14	1
15	9765.113	screw M 12	1
16	8990.022	plug diam. 30	4
17	4501.121	gasket	1
18	3790.078	FLANGE for engine with external altern.or without alternator	1
18	3790.079	FLANGE for engine with flywheel alternat. 30A	1
19	1213.347	seal ring 70X88X8	1
20	9820.120	fix. screw	4
21	1970.140	sleeve	4
22	<----->	see Pos. 4	0
24	1257.081	thrust washer std	2
24	1257.082	thrust washer +0,10	2
24	1257.083	thrust washer +0,20	2
25	8400.108	lockpin 10 X 20	2
27	6429.160	front side eng.mount	1
28	1790.030	bolt M 12 X 1,75 X 25	2
29	4400.054	gasket	4
31	1611.188	supp.bearing std.	2
31	1611.189	supp.bearing -0,25	2
31	1611.190	supp.bearing -0,50	2
32	6429.250	rear side eng.mount	1
33	1200.035	O ring 107	1
37	1770.004	bolt M 8 X 1,25 X 20	2
54	8430.105	taper pin 8X16	1

Additional Info - Engine: LDW 502 Drawing: E

CRANKCASE/FLYWHEEL SIDE CRANKSHAFT FLANGE/MOUNTS

Pos.	Old part	Serv.Lett.	Notes	S.No/Date
E 4	1510.492	320053	Pos. 4-16-20-21-22-23-29 -	3418153
	1510.626	320084	Pos. 4-16-20-21-22-23-29 -	3951542
E 6	2610.034	320043	Pos. 6-12 -	3377242
E 7	3630.043	320017	- fitted until shown engine s.no	3152012
E 8	9400.097	320017	- fitted until shown engine s.no - old type superseded by 9400.063	3152012
E 9	3617.166	320017	- fitted until shown engine s.no	3152012
E 10	6370.270	320039	-	3320046
E 11	9731.030	320017	- fitted until shown engine s.no	3152012
E 13	9730.289	320089	-	4219976
E 14	4431.135	320043	-	3377242
E 17	4501.038	320008	-	3103239
E 18	3790.060	320065	Pos. 18-19 -	3535825
E 19	1213.301	320012	-	3159448
	1213.339	320065	-	3535825
E 27	6429.206	320003	-	3092728
E 28	9732.074	320003	-	3092728
	1790.037	320003	-	3092728
E 29	4400.048	320029	-	3171387
E 31	1611.138	320065	-	3535825
	1611.182	320078	-	3969966
E 31	1611.139	320065	-	3535825
	1611.183	320078	-	3969966
E 31	1611.140	320065	-	3535825
	1611.184	320078	-	3969966
E 32	6429.207	320003	-	3092728





FUEL SYSTEM

POS.	CODE	DESCRIPTION	Qty
1	9375.993	delivery pipe	1
2	9730.313	fix.screw	4
3	4750.014	delivery pipe seal	1
4	3240.164	nut M 8	2
5	7555.029	washer diam. 8	2
6	6780.049	intake stud M 8 X 20 (36)	2
7	6585.097	feed pump	1
8	1200.087	O ring 3150	1
9	7200.168	drive rod	1
10	1200.286	seal ring 9,25X1,78	4
11	3240.018	nut M 8	4
12	6780.135	stud	4
13	7555.029	washer diam. 8	4
14	1410.112	tapped	2
16	9680.037	bleeding valve	2
16	9680.041	bleeding valve	2
17	5801.274	delivery valve spring	2
18	9672.107	delivery valve	2
19	<----->	seal ring	0
20	6578.211	injection plunger	2
20	6578.227	plunger (citycar version)	2
21	<----->	locking nut	0
23	5755.113	tappet spring	2
24	7215.101	push rod	2
25	6590.285	nozzle-injection pump	2
25	6590.307	nozzle-injection pump (citycar version)	2
26	<----->	body	0
27	8335.142	adj.spacer 2,00	2
27	8335.143	adj.spacer 1,90	2
27	8335.144	adj.spacer 1,80	2
27	8335.145	adj.spacer 1,70	2
27	8335.146	adj.spacer 1,60	2
27	8335.147	adj.spacer 1,50	2
27	8335.148	adj.spacer 1,40	2
27	8335.149	adj.spacer 1,30	2
27	8335.150	adj.spacer 1,20	2
27	8335.151	adj.spacer 1,10	2
27	8335.152	adj.spacer 1,00	2
28	5625.011	pressure spring	2
29	1420.048	drive rod	2
30	3527.220	spacer	2
31	7470.007	filler	2
32	4760.015	valve gasket	2
33	<----->	filler	0
35	1200.277	seal ring 20,35X1,78	2
36	5375.017	governor sleeve	2
37	9730.206	screw TCEI M 4 X 12	8
38	6410.096	lower ret.	2
39	1241.009	circlip diam. 19	2
40	5989.007	spark arrestor	2
41	1200.213	O ring 26,70X1,78	2
42	4130.119	locking nut	2
43	6531.436	nozzle	2

Group: FOCS
Engine: LDW 502 Drawing: F

FUEL SYSTEM

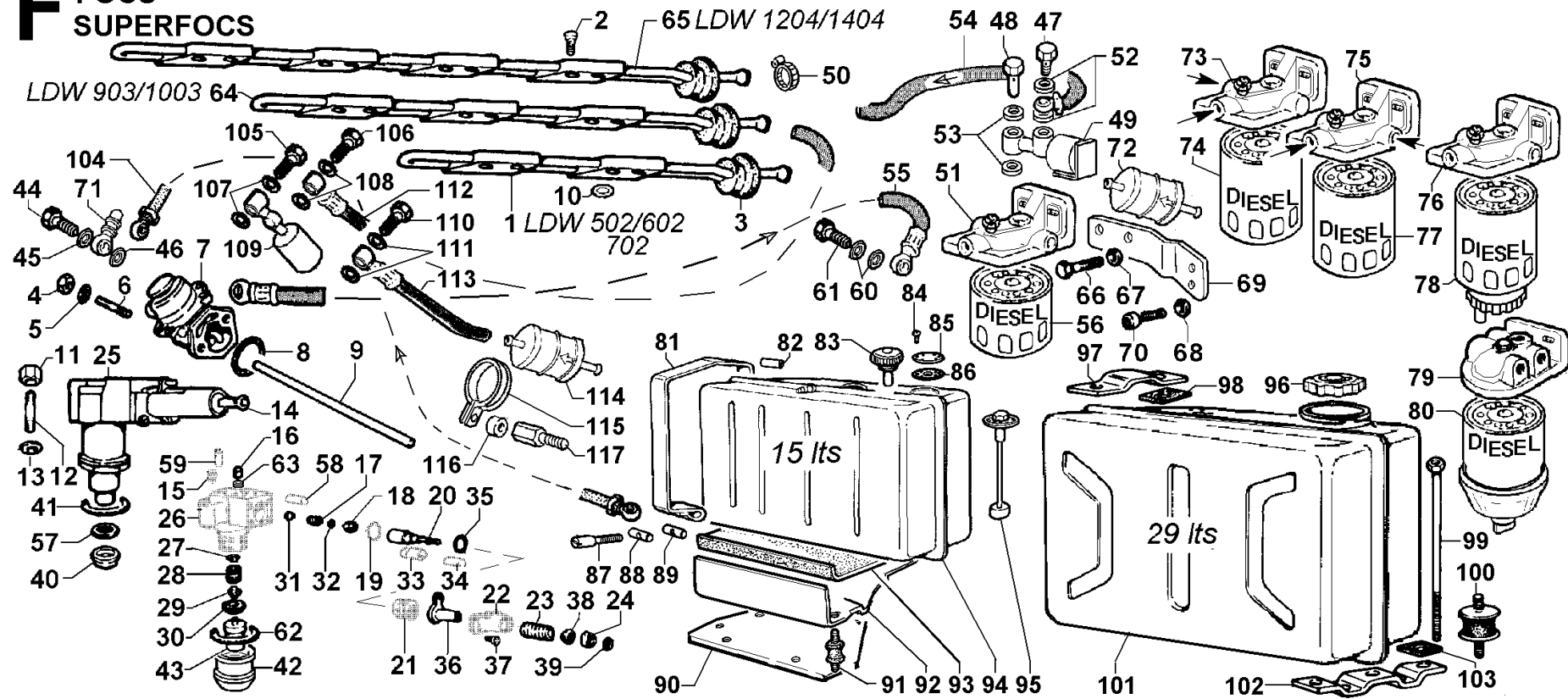
POS.	CODE	DESCRIPTION	Qty
44	1901.030	union bolt M 10	2
45	4670.059	copper gasket diam.10	2
47	1901.030	union bolt M 10	1
48	1570.045	filler cap M 14	1
49	3587.119	electro-valve	1
50	3630.050	clamp Oteco clic 55	1
51	3730.073	FUEL FILTER	1
52	4670.059	copper gasket diam.10	2
53	4670.061	copper gasket diam.14	2
54	9375.857	del.pipe mm 680	1
54	9375.859	del.pipe mm 1000	1
54	9375.868	del.pipe mm 500	1
55	9375.853	fuel pipe	1
56	2175.045	fuel filter cartridge	1
57	4670.082	copper gasket diam.14 X 1	2
58	«-----»	lockpin	0
60	4670.061	copper gasket diam.14	2
61	1901.032	union bolt M 14	1
62	1200.287	O ring 25,12X1,78	2
63	4760.038	gasket	2
81	3616.082	fuel tank strap	2
82	9600.057	rubber spacer	2
83	9043.025	fuel tank cap	1
84	9761.001	screw M 4 X 0,7 X 12	6
85	5055.023	plate	1
86	4776.040	gasket	1
87	9730.139	screw M 6 X 60	2
88	1557.020	nut	2
89	1557.019	nut	2
90	8042.024	fuel tank saddle	1
91	8636.001	vibration-damping	4
92	6370.515	tank plate	1
93	8315.016	rubber shim	1
94	8103.021	liters	1
95	4906.008	fuel gauge (mm 193) 15/29 lt	1

Additional Info - Engine: LDW 502 Drawing: F

FUEL SYSTEM

Pos.	Old part	Serv.Lett.	Notes	S.No/Date
F 1	9375.631	320060	-	3485040
	9375.848	320064	-	3530058
	9375.873	320067	-	3717572
F 2	9730.238	320064	-	3530058
F 3	4750.012	320060	-	3485040
	4750.013	320067	-	3717572
F 7	6585.068	320062	-	3493030
F 9	7200.111	320062	-	3493030
F 10	1200.052	320044	-	3290190
	1200.276	320067	-	3717572
F 16	9680.032	320067	-	3717572
F 18	9672.066	320019	-	3159084
	9672.081	320044	-	3290190
F 19	1201.086	320019	- fitted until shown engine s.no	3159083
F 20	6578.176	320019	-	3159084
	6578.187	320044	-	3290190
	6578.203	320052	-	3404218
	6578.204	320061	-	3507300
F 21	4130.086	320067	- fitted until shown engine s.no	3717571
F 22	8900.182	320019	- fitted until shown engine s.no	3159084
	8900.384	320067	- fitted until shown engine s.no	3717571
F 24	7215.094	320019	-	3159084
F 25	6590.202	320019	-	3159084
	6590.236	320044	-	3290190
	6590.260	320052	-	3404218
	6590.262	320061	-	3507300
	6590.272	320067	- old type superseded by 4896.374	3717572
F 26	2871.068	320019	- fitted until shown engine s.no	3159084
	2871.110	320052	- fitted until shown engine s.no	3404218
	2871.126	320067	- fitted until shown engine s.no	3717571
F 33	1301.243	320019	- fitted until shown engine s.no	3159083
F 34	8461.062	320019	- fitted until shown engine s.no	3159083
F 35	1200.043	320044	- old type superseded by 1200.226	3290190
F 42	4130.097	320044	-	3290190
	4130.112	320067	-	3717571
F 43	6531.293	320061	-	3507300
F 54	9375.676	320060	-	3485040
F 58		320019	- starting from shown engine s.no	3159084
	8461.096	320067	- fitted until shown engine s.no	3717571
F 59		320019	- starting from shown engine s.no	3159084
	8430.093	320067	- fitted until shown engine s.no	3717571
F 62		320067	- starting from shown engine s.no	3717572
F 63		320067	- starting from shown engine s.no	3717572

F FOCS SUPERFOCS



COOLING SYSTEM

POS.	CODE	DESCRIPTION	Qty
1	9730.015	screw M 6 X 30	1
2	6927.504	pulley guard	1
3	2400.107	belt mm 778	1
3	2440.306	belt mm 590	1
4	7590.007	washer	1
5	1240.039	snap ring	1
6	3002.032	ball bearing	1
7	3466.046	spacer	1
8	3002.032	ball bearing	1
9	1240.039	snap ring	1
10	9730.031	screw M 8 X 40	3
11	6205.024	jockey pin mm 50,6	1
11	6205.028	pulley pin mm 63,5	1
12	8850.053	fan support	1
13	1770.022	bolt M 8 X 1,25 X 90	1
13	1770.157	bolt M 8 X 1,25 X 75	1
14	7515.006	washer	1
15	7051.165	PULLEY ASS. for engine with external alternator	1
15	7051.166	PULLEY ASS. for engine with alternator into flywheel	1
16	9730.016	screw M 6 X 35	2
17	4501.074	gasket	1
18	6584.438	COOL.PUMP	1
19	4580.083	pump body gasket	1
20	<----->	see Pos. 18	0
23	3866.046	flange	1
24	9732.063	screw M 8 X 35	2
25	<----->	circlip	0
27	9732.016	screw M 6 X 40	4
28	3810.066	fan flange h=mm 30,5	1
29	2750.279	thermostat cover	1
30	1200.091	O ring	1
31	9195.057	thermal expans.valve	1
32	4896.208	THERMOSTAT with water temperature sensor (G 45)	1
32	4896.259	THERMOSTAT with water temperature sensor (G 45) and horiz.inlet	1
33	9732.074	screw M 8 X 20	2
34	9730.012	screw M 6 X 20	4
35	6275.167	plate (for fan diam.280)	1
36	9718.235	suction fan diam.280	1
36	9718.244	blower fan diam.280	1
37	9730.016	screw M 6 X 35	4
38	9732.016	screw M 6 X 40	4
39	7051.143	pulley 1 groove d.=105 h 38,4	1
39	7051.144	pulley 1 groove d.= 85 h 38,4	1
40	<----->	circlip	0
42	9730.024	screw M 8 X 16	2
43	4460.037	gasket	1
44	4670.019	copper gasket diam.16	1
45	9195.077	thermostat M 16 for water warning light (110°C)	1
46	2569.467	shroud for water cooler single circuit	1
47	9732.064	screw M 8 X 30	2
48	<----->	see Pos. 30	0
49	3630.146	clamp diam.25-40	6
50	3630.147	clamp diam.12-22	2

Group: FOCS
Engine: LDW 502 Drawing: G

COOLING SYSTEM

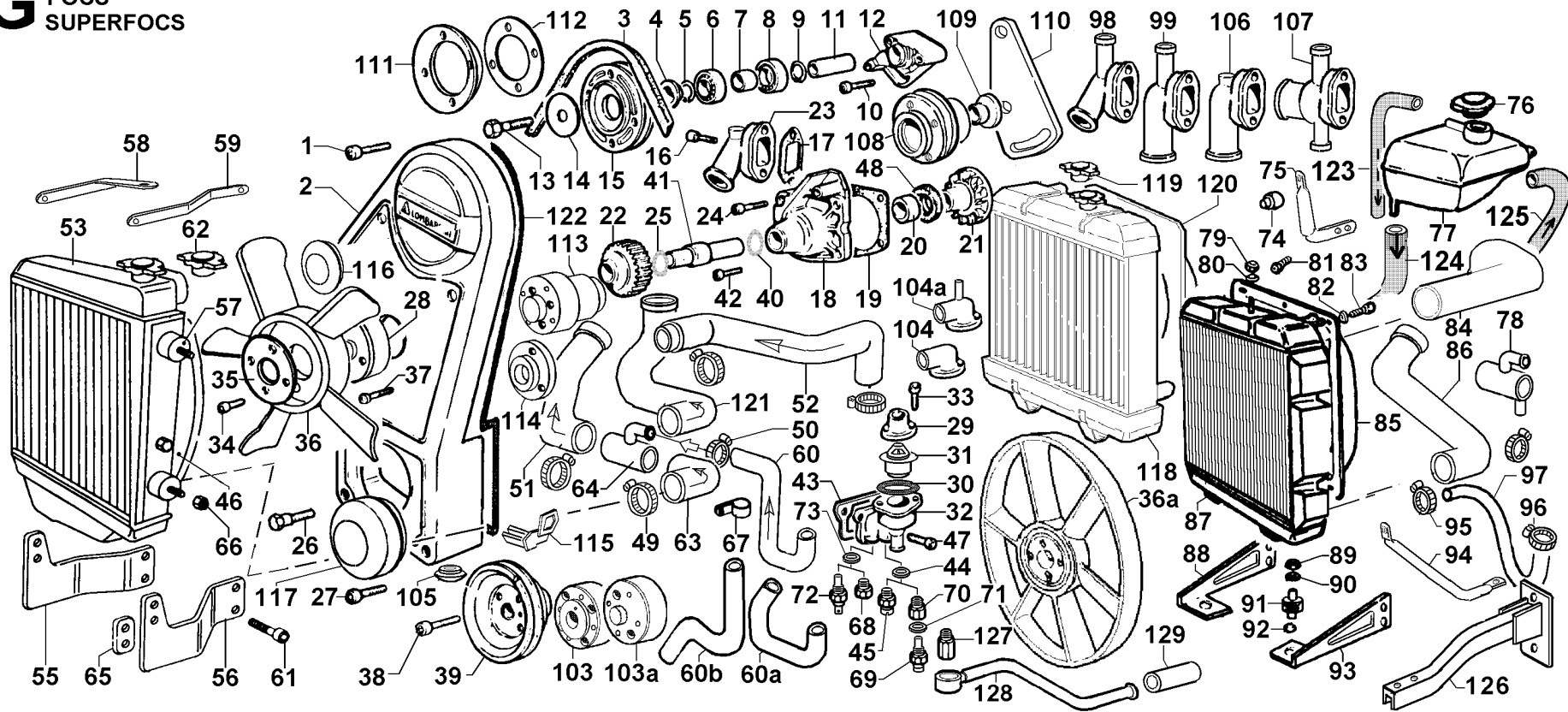
POS.	CODE	DESCRIPTION	Qty
51	5365.069	hose	1
52	5365.070	hose	1
53	7350.260	water cooler single circuit 407x285 (with cap)	1
55	8545.380	right bracket	1
56	8545.381	left bracket	1
57	8636.112	vibration-damping	4
58	9265.157	right brace	1
59	9265.158	left brace	1
60	9305.073	union pipe	1
61	9732.074	screw M 8 X 20	2
62	9032.073	water cooler cap (0,7 bar)	1
63	5365.068	hose	1
64	9305.060	union pipe diam.25	1
65	3527.324	spacer	2
66	3240.008	nut M 6	4
67	3617.089	clamp	1
68	9040.012	plug M 14	1
69	9195.050	sensor M 14 for electrical thermometer	1
70	2501.116	hollowstud	1
71	4670.061	copper gasket diam.14	1
72	9195.078	sensor M 14 (for engine with hydr.pump on 1° PTO))	1
72	9195.094	sensor M 14 (12-24V) for preheating plug control box	1
73	4670.061	copper gasket diam.14	1
76	9000.114	water cooler/bowl cap	1
77	9710.105	BOWL	1
104	2750.320	thermostat cover	1
105	9000.078	plug	1
111	8075.095	half-pulley	1
112	7550.016	spacer 0,5	2
112	7550.020	spacer 1,0	4

Additional Info - Engine: LDW 502 Drawing: G

COOLING SYSTEM

Pos.	Old part	Serv.Lett.	Notes	S.No/Date
G 2	6927.197	320056	-	3410140
G 18	6584.082	320018	Pos. 18-20-21-22-41 -	3175065
	6584.311	320070	Pos. 18-20-21-22-41 -	3742951
G 22	7090.013	320018	- fitted until shown engine s.no - then see Pos. 18	3175065
	7085.014	320070	- fitted until shown engine s.no - then see Pos. 18	3742951
G 25	1240.020	320018	- fitted until shown engine s.no	3175064
G 32	9195.063	320050	Pos. 29-30-31-32-33-44-45 -	3429337
	9195.071	340035	Pos. 29-30-31-32-33-44-45 -	3429511
G 36	9718.204	320015	-	3171397
G 38	9732.074	320045	-	3368363
G 39	7051.089	320045	-	3368363
G 40	1240.020	320018	- fitted until shown engine s.no	3175064
G 43	4460.035	320038	- old type fitted until shown engine s.no	3282407
		320100	- starting from shown engine s.no	4529117
G 44	4670.061	320050	-	3429337
G 45	9195.030	320050	-	3429337
G 49	3630.038	320015	-	3171397
G 50	3630.043	320015	-	3171397
G 51	5401.139	320015	-	3171397
G 52	5401.140	320015	-	3171397
G 53	7350.064	320015	-	3171397
G 55	8545.312	320015	-	3171397
G 56	8545.313	320015	-	3171397
G 57	8636.095	320015	-	3171397
G 58	9265.111	320015	-	3171397
	9265.122	320041	-	3320046
G 59	9265.114	320015	-	3171397
	9265.120	320041	-	3320046
G 60	9305.048	320015	- old type superseded by 9305.095	3171397
G 61	9730.263	320015	-	3171397
G 62	9032.053	320015	-	3171397
G 63		320015	- starting from shown engine s.no	3171397
G 64		320015	- starting from shown engine s.no	3171397
G 65		320015	- starting from shown engine s.no	3171397
G 67		320015	- starting from shown engine s.no	3171397
G 70		320050	- starting from shown engine s.no	3429337

G FOCS
SUPERFOCS





Group: FOCS
 Engine: LDW 502 Drawing: H

LUBRICATING SYSTEM

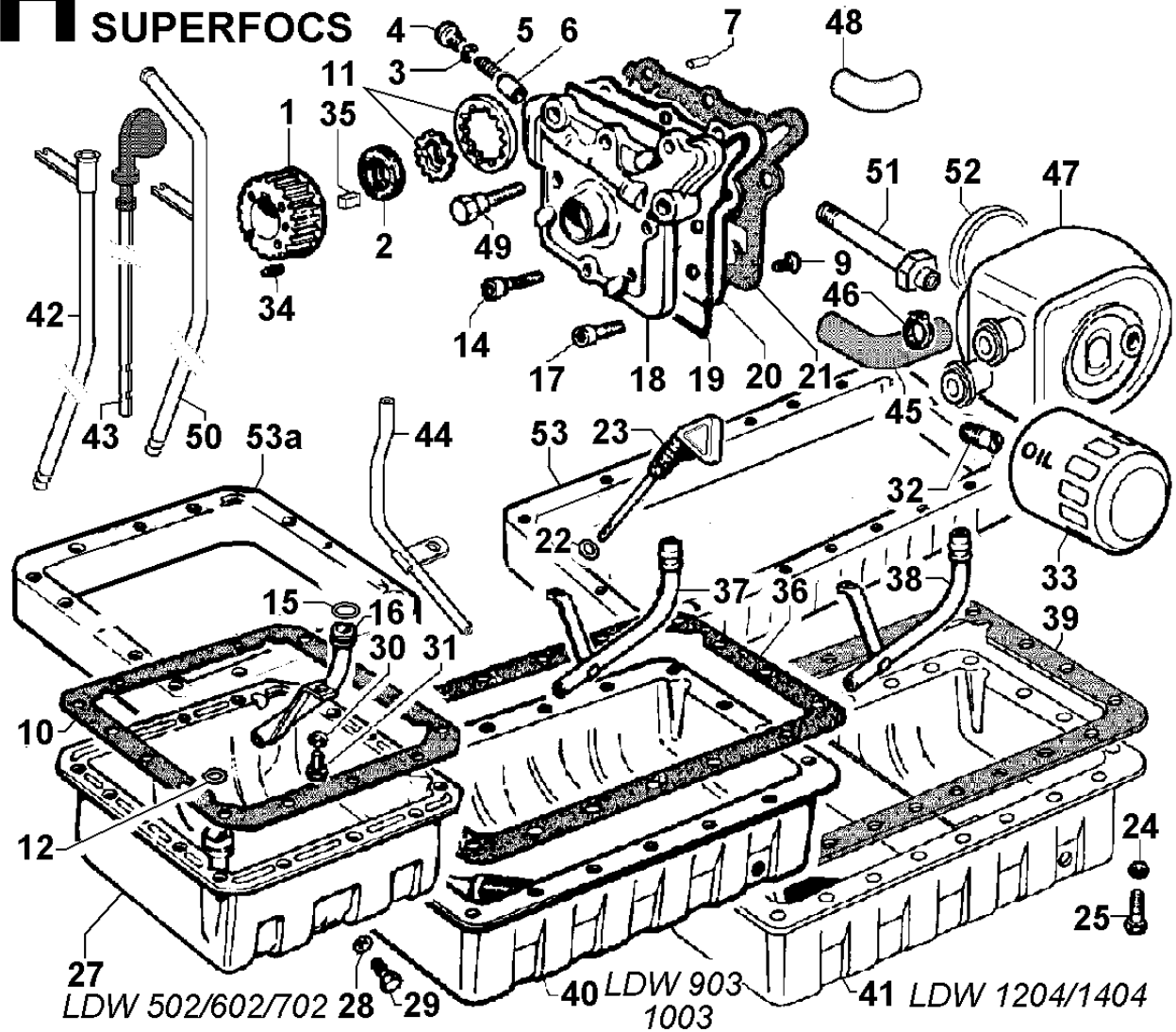
POS.	CODE	DESCRIPTION	Qty
1	6975.292	driving pulley	1
2	1213.343	seal ring 32X50X6	1
3	4670.060	copper gasket diam.12	1
4	9015.005	plug	1
5	5625.008	pressure valve spring	1
6	6495.045	drive rod	1
7	<----->	see remarks	0
9	9800.061	screw M 6 X 16	3
10	4431.130	gasket	1
11	7750.105	oil pump rotors	1
12	1200.030	rubber oil seal	1
14	9732.064	screw M 8 X 30	1
15	1200.274	oil seal diam. 8,00	1
16	9485.186	scavenge oil pipe	1
17	9732.074	screw M 8 X 20	6
18	6605.096	OIL PUMP	1
19	1200.292	O ring	1
20	<----->	see Pos. 18	0
21	4580.176	gasket	1
22	1200.266	rubber oil seal	2
23	1400.248	dipstick (mm 67)	1
24	7500.018	washer	14
25	1760.130	bolt M 6 X 1 X 12	14
27	6645.572	oil pan (l 1,7)	1
28	4670.088	copper gasket 18X24X1	2
29	9040.024	plug M 18 h = 22	2
30	7625.008	washer diam. 6,4	1
31	1760.130	bolt M 6 X 1 X 12	1
32	7265.021	oil filter connector	1
33	2175.107	oil filter cartridge (mm 59)	1
34	<----->	lockpin	0
42	9330.070	dipstick guard	1
42	9330.071	dipstick guard	1
43	1400.267	dipstick on cyl.head mm 379 (with alternator into flywheel)	1
44	9485.213	scavenge oil pipe	1
49	9865.174	screw	2

Additional Info - Engine: LDW 502 Drawing: H

LUBRICATING SYSTEM

Pos.	Old part	Serv.Lett.	Notes	S.No/Date
H 1	7090.014	320045	-	3368363
H 2	1213.302	320045	-	3368363
H 11	7750.088	320045	-	3368363
H 15	1200.225	320053	-	3418153
H 18	6605.075	320045	Pos. 3-4-5-6-9-11-18-19-20 -	3368363
	6605.087	320073	Pos. 3-4-5-6-9-11-18-19-20 -	4040126
H 19	1200.215	320073	-	4040126
H 22	1200.034	320084	-	3951542
H 23	1400.262	320084	-	3951542
H 27	6645.241	320072	-	3948445
H 28	4670.060	320030	-	3245481
H 29	8965.003	320030	-	3245481
	9040.017	320072	-	3948445
H 34	8430.085	320045	- fitted until shown engine s.no	3368363
H 42	9330.057	320084	-	3951542
	9330.063	320084	-	3951542
H 43	1400.187	320084	- Bellier-Chatenet 3A6070-Grecav-Ligier-Tasso-Town Life	3951542

H FOCS SUPERFOCS





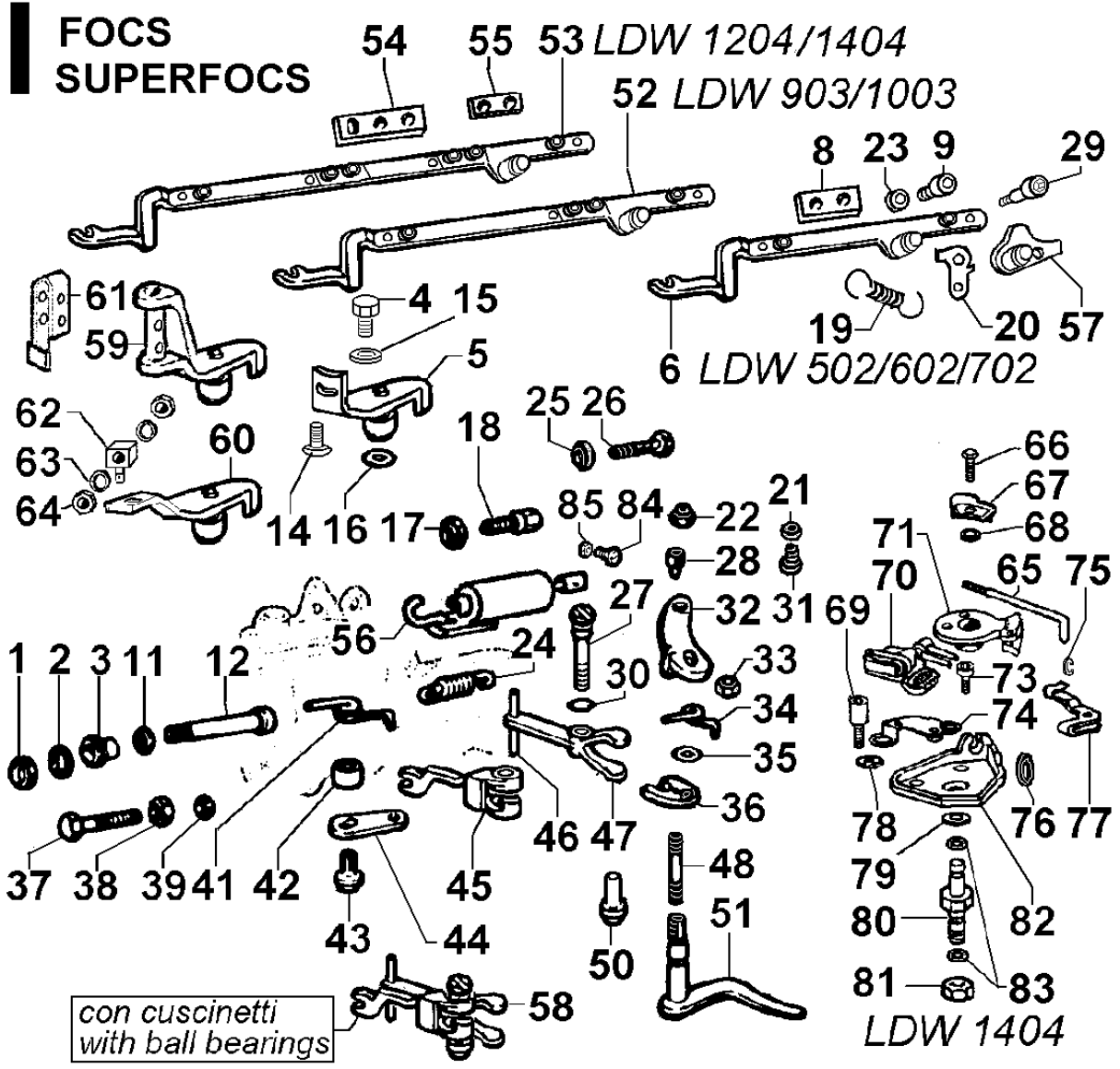
Group: FOCS
 Engine: LDW 502 Drawing: I

CONTROLS

POS.	CODE	DESCRIPTION	Qty
1	3240.153	nut M 6	1
2	4670.062	copper gasket diam. 6	1
3	<----->	locking nut (Es.19)	0
4	6000.049	nut	1
5	5201.150	lever	1
6	1380.066	INJECTION PUMP RACK	1
8	6320.048	plate	2
9	9732.096	screw M 3 X 6	2
11	4480.046	gasket 16X20	1
12	8576.076	ext.f.device->3200 R.P.M.	1
12	8576.077	ext.f.device 3200-> R.P.M.	1
14	9790.023	screw M 5 X 7	1
15	7626.017	washer diam. 5,3	1
16	1200.052	O ring	1
17	3240.009	nut M 6	2
18	9180.191	adjuster M 6	2
19	5655.257	device spring	1
20	<----->	plate	0
21	7626.017	washer diam. 5,3	1
22	3203.075	nut M 8	1
23	7626.037	washer	2
24	5655.185	spring (black) 3600R.P.M.	1
24	5655.210	spring (red) 3000R.P.M.	1
24	5655.241	spring (light blue) 1500-1800	1
25	3240.008	nut M 6	2
26	1760.128	adjusting bolt M 6X25	2
27	6110.101	control lever pin	1
28	6000.049	nut	1
29	9865.202	screw M 3 X 10	2
30	1200.037	rubber oil seal	1
31	1755.001	bolt M 5 X 0,8 X 8	1
32	5200.414	lever	1
33	3240.008	nut M 6	1
34	5660.047	stop lever recovery spring	1
35	1200.051	rubber oil seal	1
36	6275.114	locking plate	1
37	1760.128	adjusting bolt M 6X25	1
38	3203.048	nut M 6	1
39	4670.062	copper gasket diam. 6	1
41	5660.065	recovery spring	1
42	1957.009	sleeve	1
43	1760.081	screw M 6 X 20	1
44	5200.674	internal lever	1
45	<----->	see Pos. 47+...	0
46	6140.420	journal	1
47	4896.360	GOVERNOR LEVER ASS.Y	1
48	6760.044	stud M 6 X 7	1
50	1954.020	sleeve	1
51	5200.413	lever	1
57	6370.331	locking plate	1
58	4896.330	governor ass.y with ball bearing	1

Additional Info - Engine: LDW 502 Drawing: I

CONTROLS					
Pos.	Old part	Serv.Lett.	Notes	S.No/Date	
I 5	5200.664	320031	-		3303702
	5200.815	320059	-		3465189
I 6	1380.035	320013	Pos. 6-8-9-23 -		3161313
	1380.058	320080	Pos. 6-8-9-23 -		4001284
I 19	5801.203	320047	-		3383866
	5801.535	320080	-		4001284
I 20	6370.238	320047	- fitted until shown engine s.no		3383866
	6370.518	320080	- fitted until shown engine s.no		4001283
I 24	5655.144	320028	-		3215275
I 27	6110.079	320027	-		3277040
I 41	5660.048	320031	-		3303702
I 45	5200.420	320085	- fitted until shown engine s.no - then see Pos. 45+...		3901332
I 47	5200.641	320085	Pos. 27-30-45-46-47-50 -		3901332
I 50	1954.014	320085	-		3901332
I 57		320080	- starting from shown engine s.no		4001284
I 58		320085	- starting from shown engine s.no		3901332





Group: FOCS
Engine: LDW 502 Drawing: L

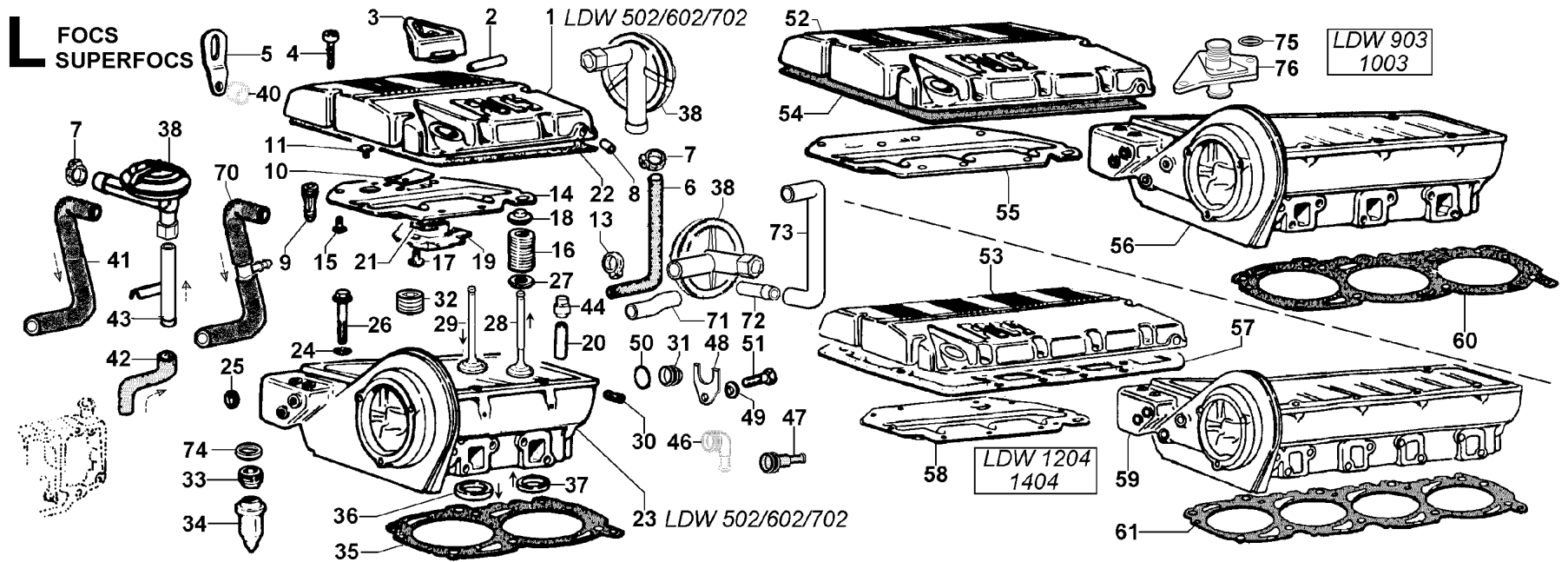
CYLINDER HEAD/ROCKER ARM BOX

POS.	CODE	DESCRIPTION	Qty
1	2125.273	rocker arm cover	1
3	9032.061	filler oil cap	1
4	9730.012	screw M 6 X 20	9
5	8545.190	lifting brace	2
7	3630.147	clamp diam.12-22	2
8	9080.132	plug diam. 6	1
8	9080.133	cap diam. 8	1
15	<----->	see Pos. 1	0
16	5755.005	valve spring	4
17	<----->	see Pos. 14	0
18	6410.017	retainer with half-collets	4
19	<----->	see Pos. 14	0
20	4845.200	valve guide std.	4
20	4845.220	valve guide +0,50	4
21	<----->	see Pos. 14	0
22	4400.082	gasket	1
23	9200.522	CYL.HEAD	1
24	7625.130	washer diam. 10,2	6
25	8990.047	plug diam.18	1
26	9820.119	special screw mm 90+10	6
27	7625.185	washer	4
28	9685.105	exhaust valve	2
29	9652.101	intake valve	2
30	9080.132	plug diam. 6	2
31	9065.007	plug	1
33	4130.096	precombustion champer locking nut	2
34	6725.029	precombustion chamber	2
35	4730.591	head gasket 1,45 (no semircular cuts or small holes)	1
35	4730.592	head gasket 1,55 (1 semircircular cut or small hole)	1
35	4730.593	head gasket 1,65 (2 semircircular cuts or small holes)	1
36	8000.121	inlet v.seat	2
37	8000.122	exhaust v.seat	2
38	9680.034	suction valve	1
40	<----->	see remarks	0
41	5365.076	rubber pipe mm 74	1
41	5365.077	rubber pipe mm 93	1
42	5365.075	union pipe	1
43	9599.165	union pipe	1
44	4535.015	valve retainer	4
46	3866.090	water flange	1
47	3866.089	flange (for hose diam.12)	1
48	5570.019	retainer	1
49	7625.010	washer diam. 8	1
50	1200.081	O ring	1
51	1770.127	bolt M 8 X 14	1

Additional Info - Engine: LDW 502 Drawing: L

CYLINDER HEAD/ROCKER ARM BOX

Pos.	Old part	Serv.Lett.	Notes	S.No/Date
L 1	2125.201	320027	-	3277040
	2125.256	320063	-	3507300
L 4	9730.010	320027	-	3277040
L 7		320017	- starting from shown engine s.no	3152013
L 20	4845.127	320026	-	3233575
L 20	4845.201	320026	-	3233575
L 22	4730.362	320027	-	3277040
L 23	9200.364	320027	Pos. 16-18-20-23-25-27-28-29-30-31-36-37-44-48-49-50-51 - for die-cast crankcase see Pos. S 1	3277040
	9200.471	320027	Pos. 16-18-20-23-25-27-28-29-30-31-36-37-44-48-49-50-51 - for die-cast crankcase see Pos. S 1	3276626
	9200.505	320054	Pos. 16-18-20-23-25-27-28-29-30-31-36-37-44-48-49-50-51 - for die-cast crankcase see Pos. S 1	3409203
L 31	8990.022	320054	-	3409203
L 35	4730.433	320024	-	03.1991
	4730.449	320034	-	3319166
	4730.483	320074	-	3898286
	4730.542	320074	-	3898286
L 35	4730.434	320024	-	03.1991
	4730.450	320034	-	3319166
	4730.484	320069	-	3476049
	4730.543	320074	-	3898286
L 35	4730.435	320024	-	03.1991
	4730.451	320034	-	3319166
	4730.485	320069	-	3476049
	4730.544	320074	-	3898286
L 38		320017	- starting from shown engine s.no	3152013
	9680.028	320005	-	3103239
L 40	3527.298	320005	- no more fitted	3103239
L 41		320017	- starting from shown engine s.no - for Ligier until 38 3464 version	3152013
	5365.064	320021	-	3196856
L 41		320017	- starting from shown engine s.no	3152013
	5365.065	320021	-	3196856
L 42		320017	- starting from shown engine s.no	3152013
	5365.063	320021	-	3196856
L 43		320021	- starting from shown engine s.no	3196856
	9580.151	320063	-	3507300
L 44		320026	- starting from shown engine s.no	3233575
L 46	3866.063	320054	-	3409203
L 47	3866.073	320054	-	3409203
L 48		320054	- starting from shown engine s.no	3409203
	5570.015	320059	-	3468897
L 49		320054	- starting from shown engine s.no	3409203
L 50		320054	- starting from shown engine s.no	3409203
L 51		320054	- starting from shown engine s.no	3409203





STARTING

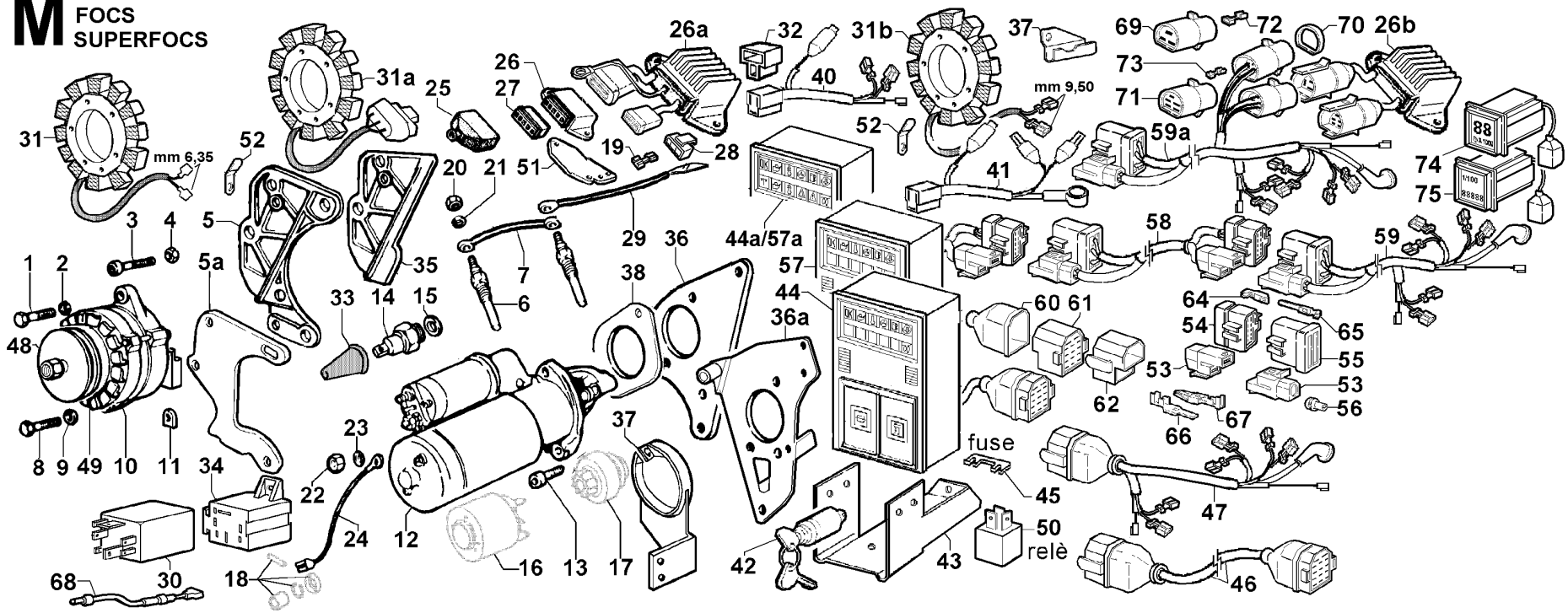
POS.	CODE	DESCRIPTION	Qty
6	2100.089	preheating glow plug 12 V	2
7	2185.548	glow plug wire	1
12	5840.194	starting motor 12 V 1,1 KW	1
13	9730.045	screw M 10 X 30	2
14	6745.050	oil switch 0,3 bar (M 12)	1
14	6745.056	oil switch 1,4 bar (white mark)	1
15	4670.060	copper gasket diam.12	1
16	<----->	relay	0
20	3240.005	nut M 5	2
21	7626.066	washer	2
22	3240.004	nut M 5	1
22	3240.020	nut M 8	1
23	7565.003	washer diam. 5	1
23	7565.007	washer diam. 8	1
24	2185.810	starting motor wire	1
26	7362.228	volt.regul. 6 contacts for alt. 3 wires	1
26	7362.298	voltage regul.12 V max 30 A - 5 contacts for alt.2 wires	1
27	<----->	inlet	0
30	2193.111	contr box 12V	1
31	8565.079	stator for alternator 3 wires 12V 20A (for ceramic rotor)	1
31	8565.083	stator for alternator 2 wires 12V 30A (for ceramic rotor)	1
32	1557.103	wire connection	1
33	6491.013	pipe elbow	1
34	5830.161	connection box	1
37	5168.079	sensor plate	1
40	2185.905	wire for voltage regulator	1
41	2185.904	wire with diode 12V	1
42	5041.020	key switch	1
43	8545.507	bracket	1
45	4062.231	fuse 30 A	1
46	<----->	wire	0
50	7369.202	preheating plug control box	1
51	6275.154	plate	1
53	1557.122	connection 2 ways	2
54	1557.119	connection 14 male contacts	1
55	1557.118	connection 14 female contacts	1
56	4775.540	guard	2
57	7245.430	el.panel 7 spie	1
58	2185.962	wire extension mm 2000	1
58	2186.105	wire extension mm 1000	1
59	2185.960	wire for dashboard	1
60	2145.060	guard	1
61	1557.100	connecting holder	1
62	1557.101	connecting holder	1
64	9180.188	faston female 4,25	12
65	9180.187	faston male 2,76	12
66	9180.189	faston male 9,5	2
67	9180.190	faston female 8,5	2

Additional Info - Engine: LDW 502 Drawing: M

STARTING

Pos.	Old part	Serv.Lett.	Notes	S.No/Date
M 6	2100.058	320055	-	3615457
M 12	5840.156	320046	-	3369915
	5840.146	320082	-	3942035
M 14	6745.052	320083	-	3993368
M 16	5041.233	320046	- fitted until shown engine s.no	3369914
M 17	6456.039	320046	- fitted until shown engine s.no	3369914
M 18	8150.022	320046	- fitted until shown engine s.no	3369914
M 27	6740.153	320049	- fitted until shown engine s.no	3468514
M 30	2193.084	320076	-	3969618
M 31	8565.077	320068	- old type superseded by 8565.079 + 7362.228	3671385
M 31	8565.076	320068	- old type superseded by 8565.079 + 7362.228	3671385
	8565.080	320089	-	4219976
M 46	2185.882	D085	- fitted until shown engine s.no - then see Pos. M 58	4257255
M 47	2185.903	D085	- fitted until shown engine s.no - then see Pos. M 59	4257255
M 57		D085	- starting from shown engine s.no	4257255
M 58		D085	- starting from shown engine s.no	4257255
M 59		D085	- starting from shown engine s.no	4257255

M FOCS
SUPERFOCS





Group: FOCS
Engine: LDW 502 Drawing: N

GASKET SET

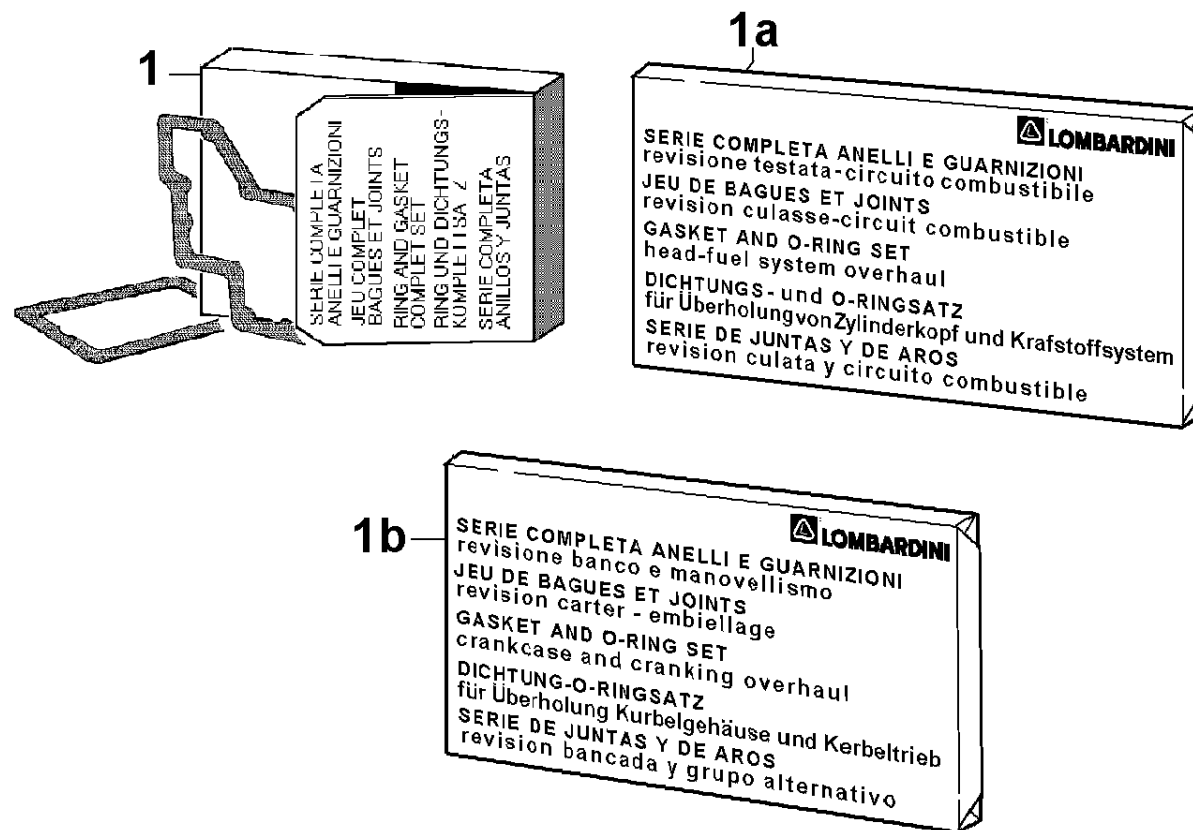
POS.	CODE	DESCRIPTION	Qty
1	<----->	RING AND GASKET COMPLETE SET (without Pos. L 35) - see Pos. N 1	0
1a	8205.106	RING AND GASKET COMPLETE SET - head and fuel system overhaul (w	1
1b	8205.107	RING AND GASKET COMPLETE SET - crankcase and cranking overhaul	1

Additional Info - Engine: LDW 502 Drawing: N

GASKET SET

Pos.	Old part	Serv.Lett.	Notes	S.No/Date
N 1	8150.020	320053	Pos. A 4-A 5-D 20-D 25-D 28-E 14-E 17-E 19-E 29-F 8-F 10 -G 17-G 19-G 30-H 2-H 10-H 12-H 15-H 19-H 21 -	3418153
	8150.030	D054	Pos. A 4-A 5-D 20-D 25-D 28-E 14-E 17-E 19-E 29-F 8-F 10 -G 17-G 19-G 30-H 2-H 10-H 12-H 15-H 19-H 21 -	
	8180.169	D054	Pos. A 4-A 5-D 20-D 25-D 28-E 14-E 17-E 19-E 29-F 8-F 10 -G 17-G 19-G 30-H 2-H 10-H 12-H 15-H 19-H 21 -	
	8205.030	D054	Pos. A 4-A 5-D 20-D 25-D 28-E 14-E 17-E 19-E 29-F 8-F 10 -G 17-G 19-G 30-H 2-H 10-H 12-H 15-H 19-H 21 -	
	8205.031	D054	Pos. A 4-A 5-D 20-D 25-D 28-E 14-E 17-E 19-E 29-F 8-F 10 -G 17-G 19-G 30-H 2-H 10-H 12-H 15-H 19-H 21 -	
	8205.032	D054	Pos. A 4-A 5-D 20-D 25-D 28-E 14-E 17-E 19-E 29-F 8-F 10 -G 17-G 19-G 30-H 2-H 10-H 12-H 15-H 19-H 21 -	
N 1a		D091	Pos. A 4-A 5-A15-A68-D20-D25-D28-F 3-F 8-F10-F40-F45-F46 -F41-F52-F57-G43-I30-L 9-L22-L44 -	03.2002
N 1b		D091	Pos. E14-E17-E19-E29-G17-G19-G30-H 2-H10-H12-H15-H19-H21 -	03.2002

N FOCS SUPERFOCS





Group: FOCS
Engine: LDW 502 Drawing: Z

SHORT BLOCK

POS.	CODE	DESCRIPTION	Qty
1	1560.262	short block (aluminium)	0

Z FOCS
SUPERFOCS

